

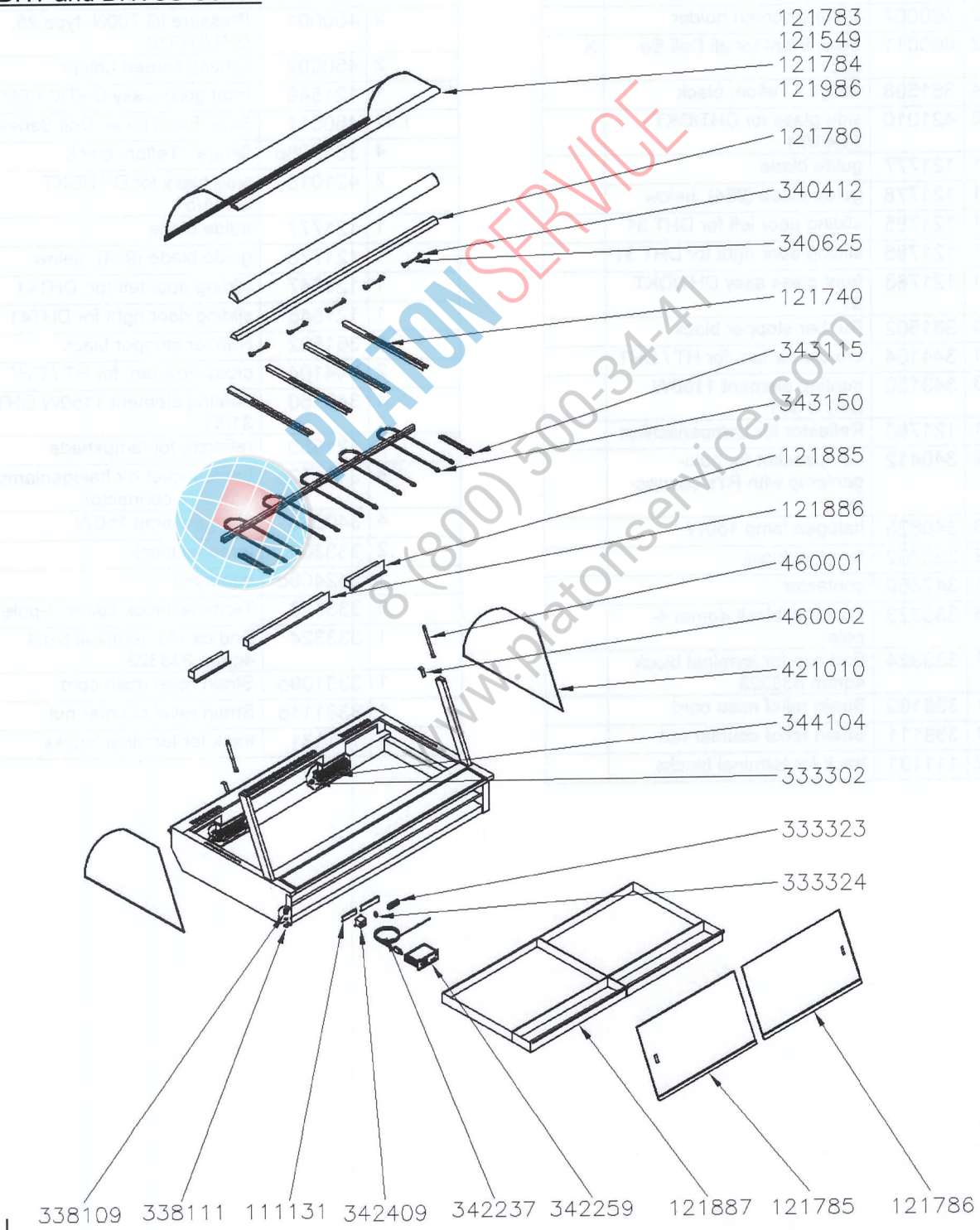
6.4 Spare Parts

Defect parts are to be replaced only by original spare parts of the company UBERT GASTROTECHNIK GMBH; the replacement is to be carried out only by their service personal or by your authorized Service companies. Only these two companies are allowed to carry out service work and replacement of defect parts. If you do not observe this note or in case of manipulation of a third party any claims for guarantee will become invalid! Also all certifications (CE, UL, NSF and the like) become invalid!



6.4.1 Explosion Diagram

DHT and DHTSS-Series



DHT51 and DHT51SS

| Amount | Part No. | Description | VT |
|--------|----------|---|----|
| 2 | 121885 | crumdrawer small | |
| 1 | 121886 | crumb drawer big | |
| 2 | 121887 | water drawer | |
| 4 | 121874 | intermediate rail for DHT 41/51 | |
| 1 | 342259 | Digital Control for HT, DHT | |
| 1 | 342237o | Temperature probe PT100 | |
| 2 | 460001 | Pressure lift 700N, type 25, DHT/DKT51 | |
| 2 | 460002 | lighting screen holder | |
| 1 | 121784 | front glass assy DHT/DKT 51 | |
| 1,98 | 460011 | Seal, Front for all Deli Series | X |
| 2 | 421010 | side glass for DHT/DKT 31/41/51 | |
| 4 | 361508o | flange - Teflon, black | |
| 1 | 121746 | guide blade top DHT51 | |
| 1 | 121748 | guide blade below DHT51 | |
| 1 | 121787 | sliding door left for DHT 51 | |
| 1 | 121788 | sliding door right for DHT 51 | |
| 2 | 344104 | cross-flow fan, for HT / DHT | |
| 2 | 343115 | heating element 1000W DHT 51 | |
| 5 | 343150 | heating element 1150W DHT 31/51 | |
| 1 | 121750 | Track for terminal block | |
| 1 | 121751 | reflector | |
| 10 | 340412o | Lampsocket for halogenlamp with R7s connector | |
| 5 | 340625 | halogen lamp 150W | |
| 3 | 333302 | terminal block | |
| 1 | 342409o | contactor | |
| 7 | 333323 | Terminal block 4qmm 4-pole | |
| 1 | 333324 | End cap for terminal block 4qmm 333323 | |
| 1 | 338109o | Strain relief main cord | |
| 1 | 338111o | Strain relief counter nut | |

DHT71 and DHT71SS

| Amount | Part No. | Description | VT |
|--------|----------|---|----|
| 2 | 121885 | crumdrawer small | |
| 2 | 121886 | crumb drawer big | |
| 1 | 121984 | water drawer | |
| 6 | 121874 | intermediate rail for DHT 41/51 | |
| 1 | 342259 | Digital Control for HT, DHT | |
| 1 | 342237o | Temperature probe PT100 | |
| 8 | 460207 | Pressure lift 400N | |
| 1 | 121986 | Frontglas curved DHT/DKT 71, assembly | X |
| 2 | 421107 | side glass for DHTG31/41/51/71 | X |
| 2 | 121988 | guide blade | |
| 2 | 121989 | guide plate (1188), below | |
| 2 | 121990 | sliding door left for DHT 71 | |
| 2 | 121992 | sliding door right for DHT 71 | |
| 8 | 361502 | Rubber stopper black | |
| 3 | 344104 | cross-flow fan, for HT / DHT | |
| 2 | 343115 | heating element 1000W DHT 51 | |
| 7 | 343150 | heating element 1150W DHT 31/51 | |
| 1 | 121750 | Track for terminal block | |
| 1 | 121751 | reflector | |
| 14 | 340412o | Lampsocket for halogenlamp with R7s connector | |
| 7 | 340625 | halogen lamp 150W | |
| 7 | 333302 | terminal block | |
| 1 | 342404 | Contactor | |
| 7 | 333323 | Terminal block 4qmm 4-pole | |
| 1 | 333324 | End cap for terminal block 4qmm 333323 | |
| 1 | 338109o | Strain relief main cord | |
| 1 | 338111o | Strain relief counter nut | |